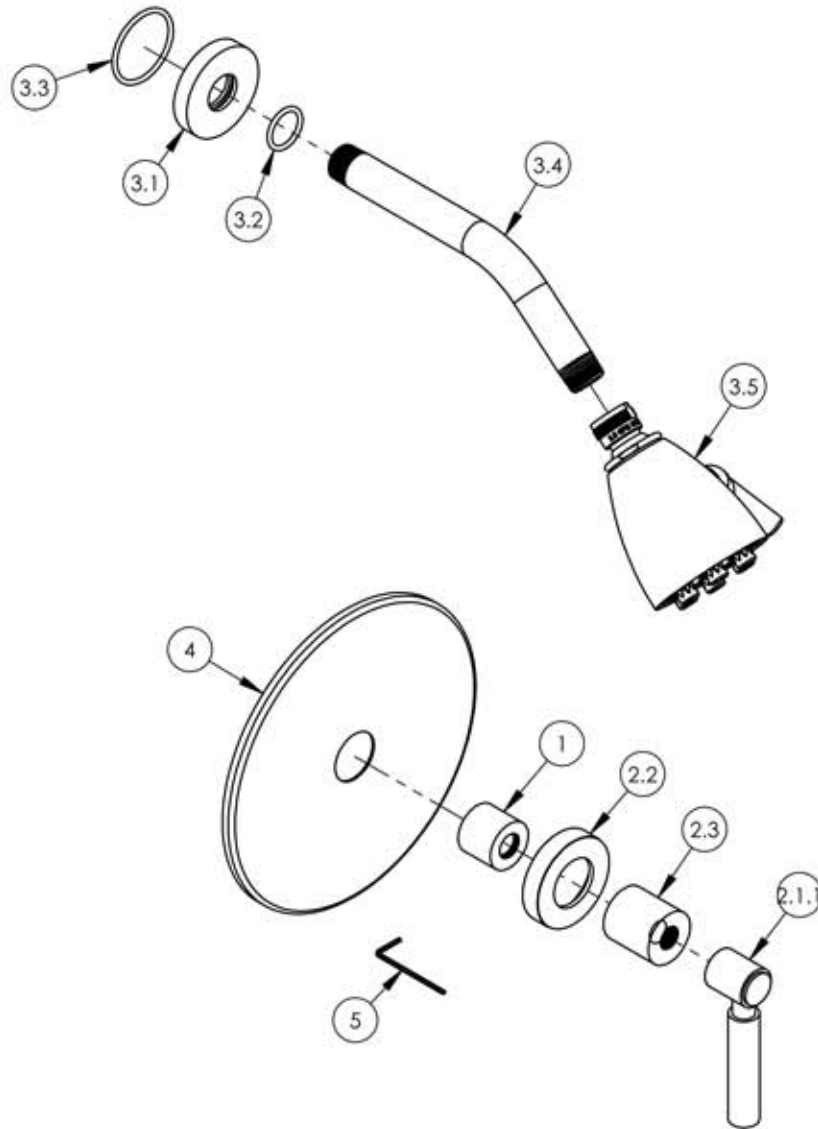


A

B

C

D



ITEM NO.	PART NUMBER	DESCRIPTION	QTY.
1	10986	CENTERING PLATE SLEEVE	1
2	3-441/00	ASSY. LEVER HANDLE. BASIC	1
2.1	3-408/00	ASSY. LEVER HANDLE. BASIC SERIES.	1
2.1.1	P01074/00	HUB, STEM FOR BASIC LEVER HANDLE	1
2.1.2	92008	SET SCREW, CUP POINT 8-32, 3/16" L.	1
2.1.3	P01078/00	HANDLE LEVER, BASIC	1
2.1.4	92173	SET SCREW, 1/4"-20, 5/8" LONG CUP POINT	1
2.2	P02035_2/00	ESCUTCHEON, CONTEMPORARY	1
2.3	P02035_1	HUB ESCUTCHEON, CONTEMPORARY TOP	1
3	D830/00	BASIC SHOWER HEAD	1
3.1	P16019/00	BASE SHOWER FLANGE, BASIC SERIES	1
3.2	90117	O-RING, 7/8"ID X 33/32THK., AS-568-117	1
3.3	90129	O-RING, 1-9/16"ID X 3/32THK, AS-568-129	1
3.4	P16008/00	SHOWER ARM (8 INCH)	1
3.5	P16014/00	SHOWERHEAD SIX JET	1
4	P20016/00	TRIM PLATE, BASIC	1
5	P39001	HEX KEY 5/64, FOR 8-32 SET SCREW	1

E

ZONE	REV.	DESCRIPTION	DATE	APPROVED
------	------	-------------	------	----------

REVISIONS

1261 LOGAN AVENUE
COSTA MESA, CALIFORNIA 92626
PHONE: 714.361.4800
FAX: 714.617.3120

PHYLORICH®

Defining Luxury Since 1959

PROPRIETARY AND CONFIDENTIAL

THE INFORMATION CONTAINED IN THIS DRAWING IS THE SOLE PROPERTY OF RSS MANUFACTURING. ANY REPRODUCTION IN PART OR AS A WHOLE WITHOUT THE WRITTEN PERMISSION OF RSS MANUFACTURING IS PROHIBITED.

-	-	INTERPRET GEOMETRIC DIMENSIONING & TOLERANCING IN ACCORDANCE WITH ASME Y14.5-2009 & ASME Y14.41-2003 STANDARDS, UNLESS OTHERWISE SPECIFIED. DIMENSIONS ARE IN INCHES. TOLERANCES ARE:			PD SHOWER SET TRIM, BASIC SERIES, LEVER HANDLE				
-	-	FRACTIONS ±1/64"	DECIMALS X.X: ±.1 X.XX: ±.01 X.XXX: ±.005	ANGULAR ±.5°				SIZE A	ASM/PRT NO. DPB3130/00
NEXT ASSY		USED ON		NAME	DATE	SCALE: 1:4		WEIGHT: lbs.	SHEET 1 OF 2
APPLICATION		MATERIAL		DRAWN	LLO	8/8/2016			
FINISH		DO NOT SCALE DRAWING		CHECKED	GRE				

5

4

3

2

1